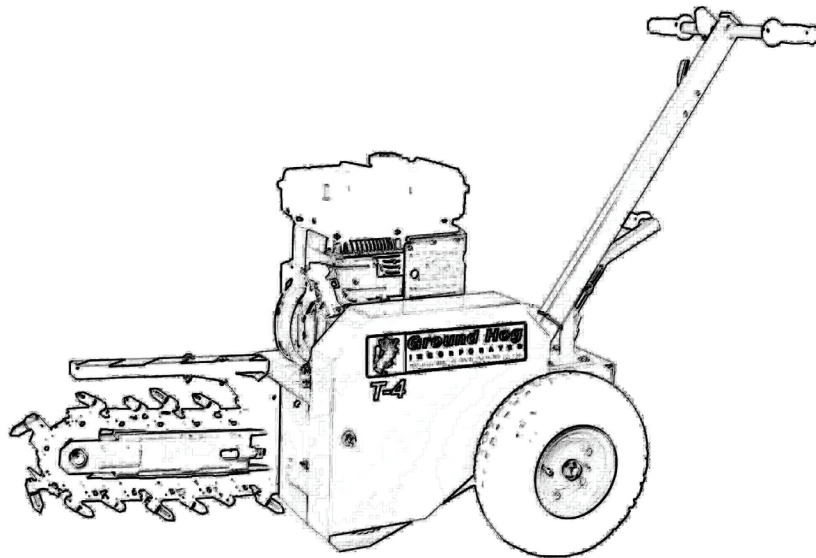


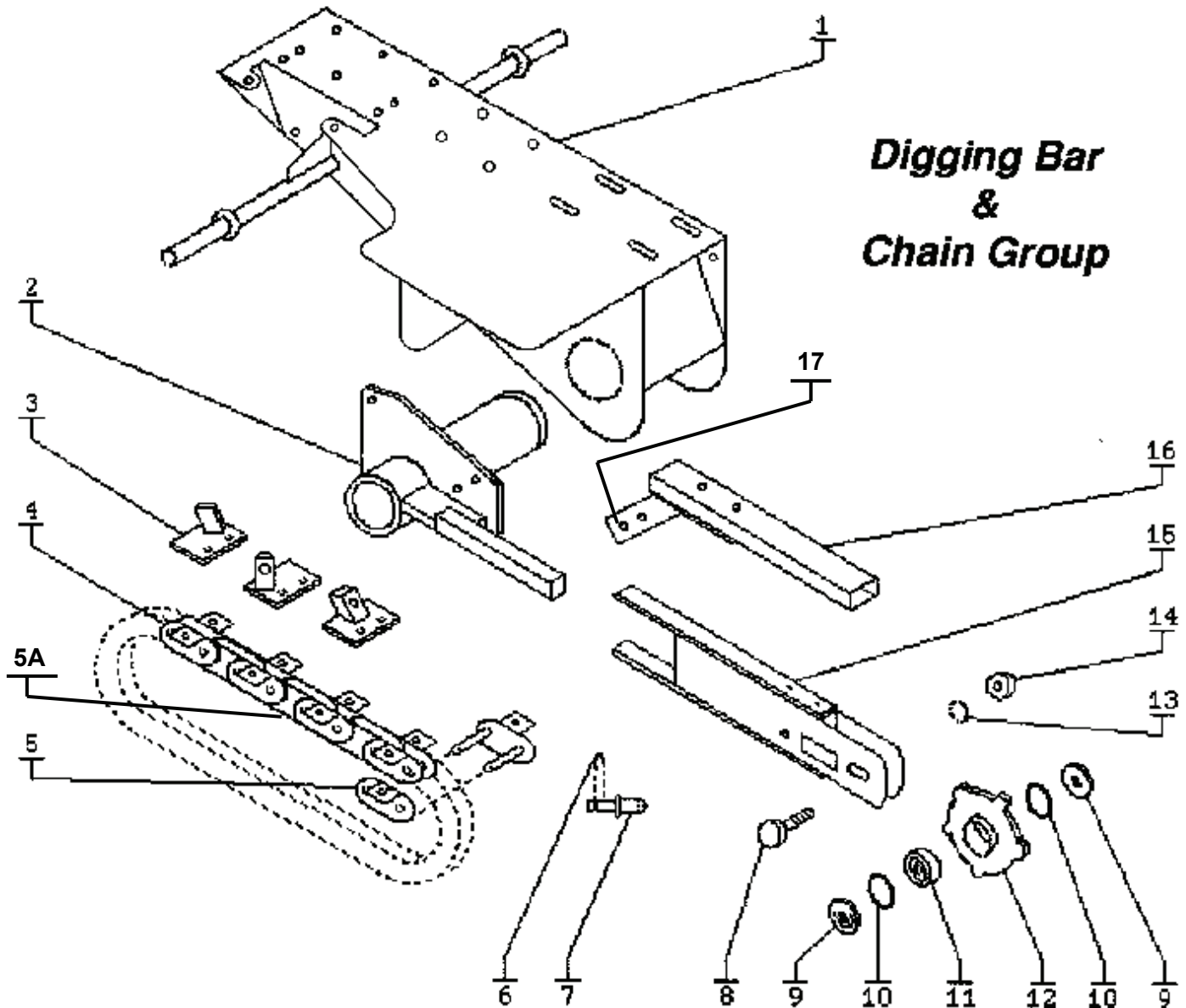
# Parts Guide for the Model *T-4* Trencher



P.O. BOX 290 • San Bernardino, CA. 92402  
Phone (909) 478-5700 • (800) 922-4680 • Fax (909) 478-5710  
E-mail: [sales@groundhoginc.com](mailto:sales@groundhoginc.com) • [www.groundhoginc.com](http://www.groundhoginc.com)

**!!! CAUTION !!!**  
Use Only Authorized Ground Hog, Inc. Parts  
American Express • Visa • Master Card •  
Discover Cards Accepted  
Payable In U.S. Dollars  
\$ 25.00 Minimum Order

## Digging Bar & Chain Group



<u>REF. #</u>	<u>ITEM #</u>	<u>DESCRIPTION</u>
1.	60100	TRENCHER BODY
2.	60230	TRUNION W/ 2 # 232 "O" RING
3.	SEE NEXT PAGE FOR PART NUMBERS	
4.	SEE NEXT PAGE FOR PART NUMBERS	
5.	60130-1	DIGGING CHAIN MASTER LINK
5A.	60130-2	DIGGING CHAIN ROLLER LINK
6.	60176	BIT RETAINING CLIP ( BULLET CHAIN ONLY )
7.	60175	CABIDE TIPPED BIT ( BULLET CHAIN ONLY )
8.	1704	DRIVEN SPROCKET AXLE (20mm)
9.	60167	GRIT WASHER ( 2 REQUIRED )
10.	60166	SPIRAL RING ( 2 REQUIRED )
11.	60156	DRIVEN SPROCKET BEARING
12.	60161	DRIVEN SPROCKET
	60161-A	DRIVEN SPROCKET ASSEMBLY W/ 60161, 60156, TWO 60166 ( ASSEMBLED )
13.	1710	LOCK WASHER
14.	1706	DRIVEN SPROCKET AXLE NUT
15.	SEE NEXT PAGE FOR PART NUMBERS	
16.	SEE NEXT PAGE FOR PART NUMBERS	
17.	60702	CHAIN GUARD BRACKET



**PARTS FOR THE 12" TRENCHER WITH THE BULLET CHAIN**

<u>REF. #</u>	<u>ITEM #</u>	<u>DESCRIPTION</u>
3.	60170	RIGHT BIT HOLDER
	60171	LEFT BIT HOLDER
	60172	MIDDLE BIT HOLDER
4.	60130	DIGGING CHAIN
	60132C	BULLET CHAIN
6.	60176	SNAP RING
7.	60175	CARBIDE BIT
15.	60140	DIGGING BAR
16.	60701	CHAIN GUARD

**PARTS FOR THE 12" TRENCHER WITH THE SHARK CHAIN**

<u>REF. #</u>	<u>ITEM #</u>	<u>DESCRIPTION</u>
3.	60177	RIGHT SHARK TOOTH
	60178	LEFT SHARK TOOTH
	60179	DOUBLE SHARK TOOTH
4.	60130	DIGGING CHAIN
	60132S	SHARK CHAIN
15.	60140	DIGGING BAR
16.	60701	CHAIN GUARD

**PARTS FOR THE 18" TRENCHER WITH THE BULLET CHAIN**

<u>REF. #</u>	<u>ITEM #</u>	<u>DESCRIPTION</u>
3.	60170	RIGHT BIT HOLDER
	60171	LEFT BIT HOLDER
	60172	MIDDLE BIT HOLDER
4.	60131	18" DIGGING CHAIN
	60133C	18" BULLET CHAIN
6.	60176	SNAP RING
7.	60175	CARBIDE BIT
15.	60143	18" DIGGING BAR
16.	60703	18" CHAIN GUARD

**PARTS FOR THE 18" TRENCHER WITH THE SHARK CHAIN**

<u>REF. #</u>	<u>ITEM #</u>	<u>DESCRIPTION</u>
3.	60177	RIGHT SHARK TOOTH
	60178	LEFT SHARK TOOTH
	60179	DOUBLE SHARK TOOTH
4.	60131	18" DIGGING CHAIN
	60133S	18" SHARK CHAIN
15.	60143	18" DIGGING BAR
16.	60703	18" CHAIN GUARD

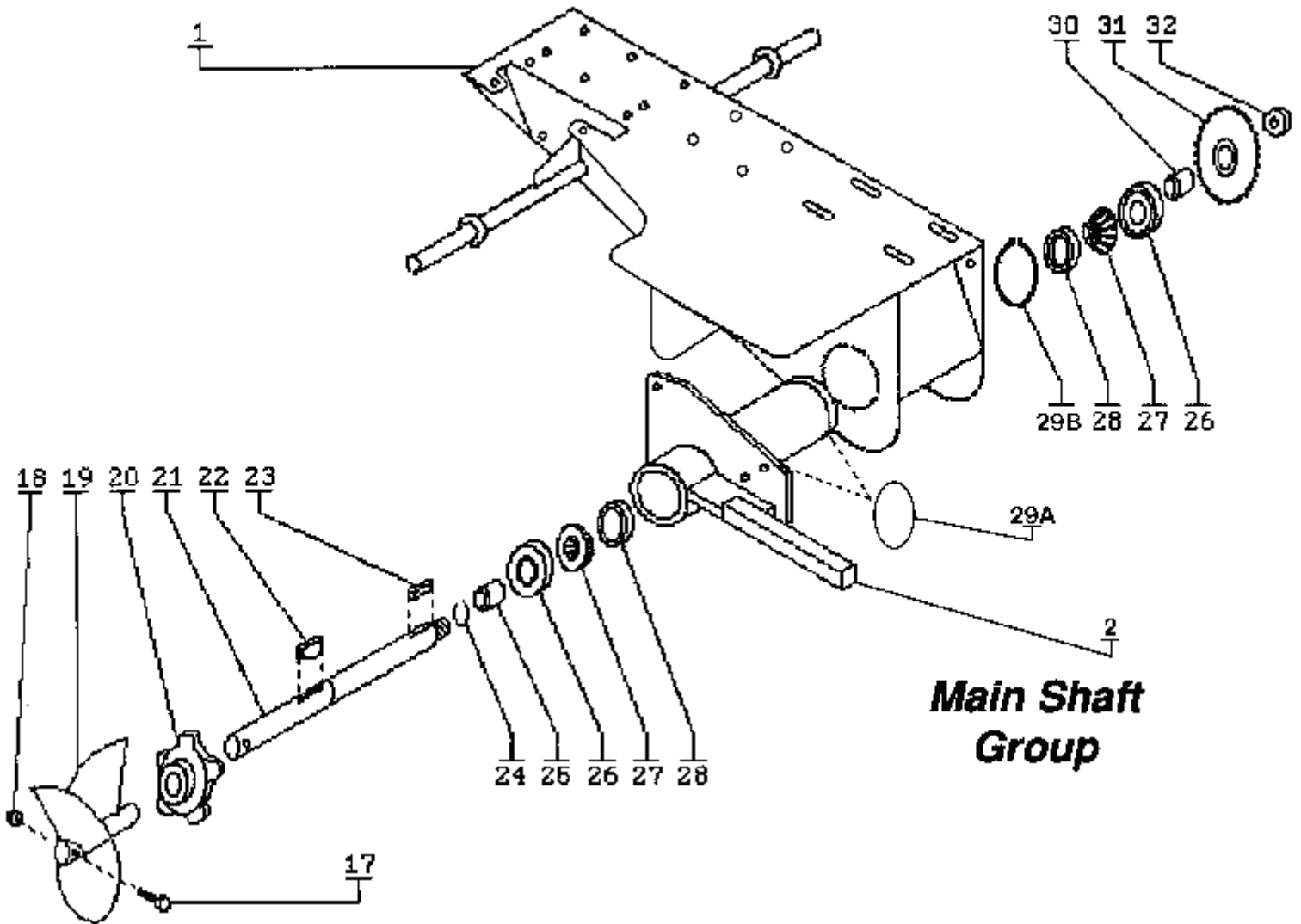
**PARTS FOR THE 4" WIDE TRENCHER WITH THE BULLET CHAIN**

<u>REF. #</u>	<u>ITEM #</u>	<u>DESCRIPTION</u>
3.	60170	RIGHT BIT HOLDER
	60173	4" WIDE BIT HOLDER
	60172	MIDDLE BIT HOLDER
4.	60130	DIGGING CHAIN
	60134	4" WIDE BULLET CHAIN
6.	60176	SNAP RING
7.	60175	CARBIDE BIT

**PARTS FOR THE 4" WIDE TRENCHER WITH THE SHARK CHAIN**

<u>REF. #</u>	<u>ITEM #</u>	<u>DESCRIPTION</u>
3.	60177	RIGHT SHARK TOOTH
	60179-4	4" WIDE SHARK TOOTH
	60179	DOUBLE SHARK TOOTH
4.	60130	DIGGING CHAIN
	60134S	4" WIDE SHARK CHAIN

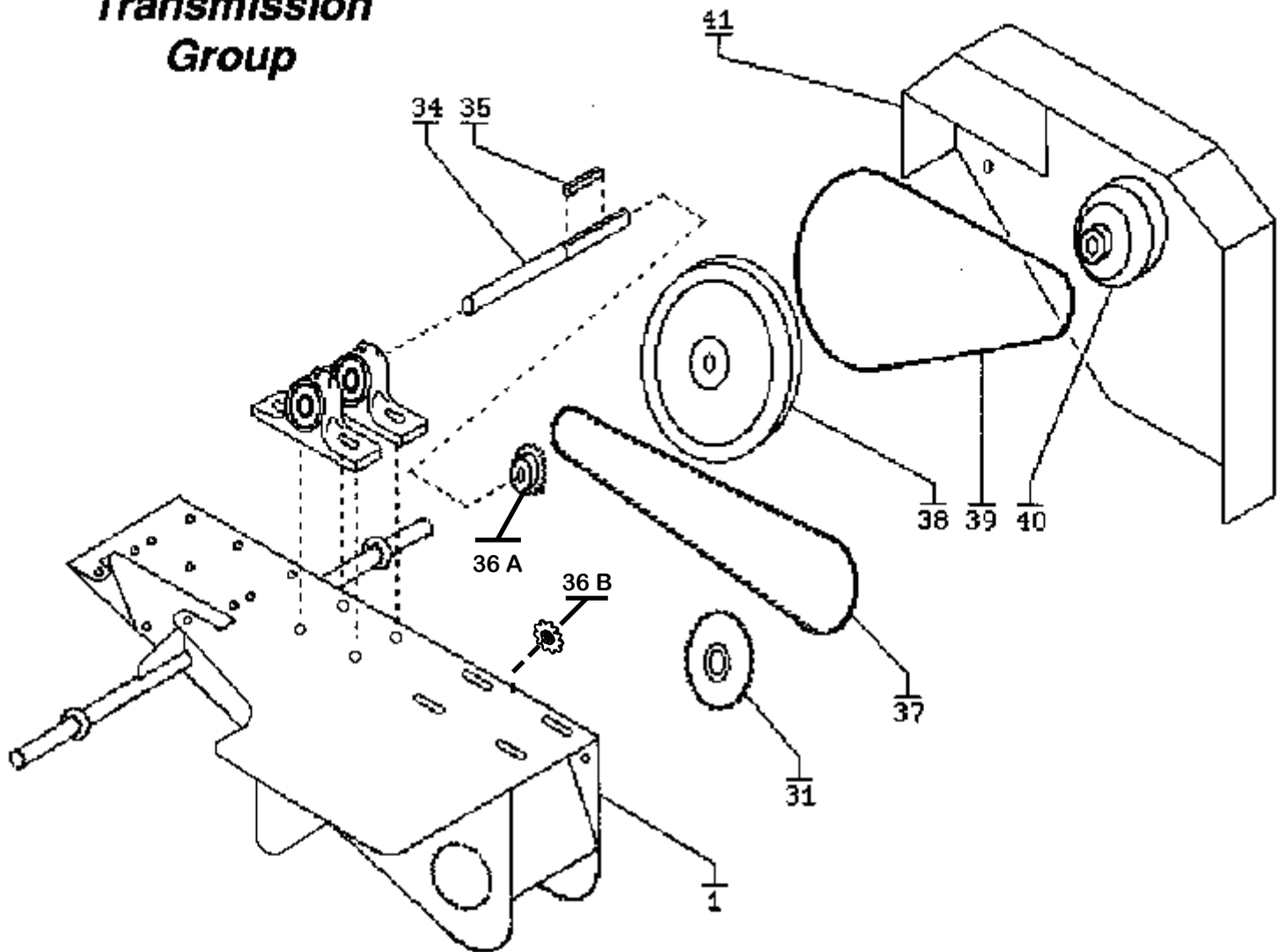




<u>REF. #</u>	<u>ITEM #</u>	<u>DESCRIPTION</u>
17.	1510	AUGER RETAINING BOLT
18.	1518	3/8 N.C. NUT
19.	60200	SIDE DELIVERY AUGER
20.	60205	DIGGING CHAIN DRIVE SPROCKET
21.	60210	MAIN SHAFT ( W/ 22 & 24 )
22.	No. 21	1/4 X 1 1/4 WOODRUFF KEY
23.	1/4 KEY	1/4 X 1/4 SQUARE KEY
24.	60215	1 1/4 MAIN SHAFT SNAPRING
25.	60220	WIDE MAIN SHAFT SPACER
26.	60225	TRUNION SEAL ( 3 NEEDED )
27.	08125	TIMKEN BEARING
28.	08231	TIMKEN CUP
29A.	232	"O" RING ( 2 REQUIRED )
29B.	60235	TRUNION TUBE SNAPRING
30.	O.P.S.	NARROW MAIN SHAFT SPACER
31.	60240	MAIN SHAFT DRIVE SPROCKET
32.	1750	MAIN SHAFT RETAINING NUT

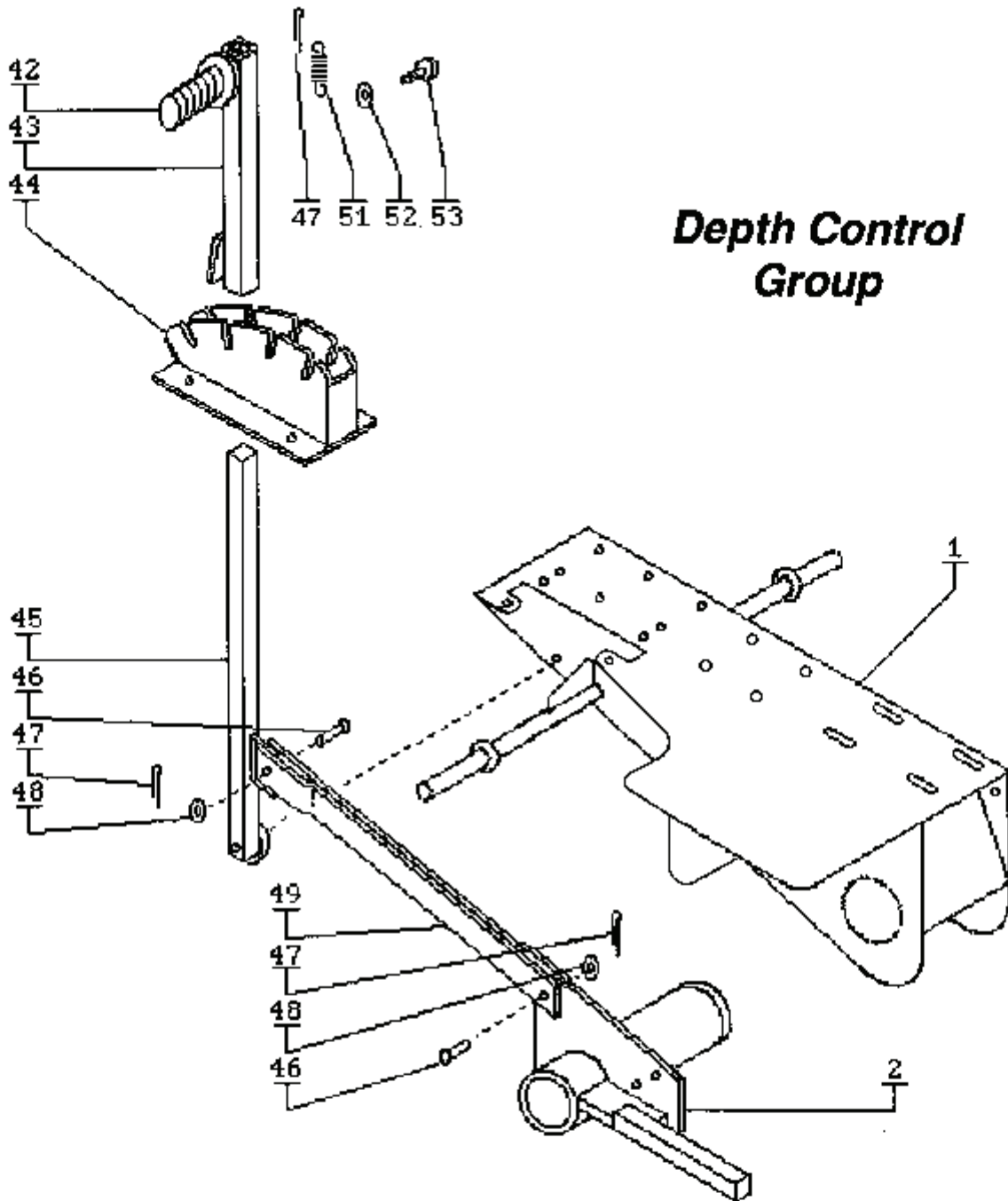


# Power Transmission Group



<u>REF. #</u>	<u>ITEM #</u>	<u>DESCRIPTION</u>
33.	60305	PILLOW BLOCK BEARING
34.	60315	MANDREL SHAFT
	60320	PILLOW BLOCK ASSEMBLY w/ #34 & TWO #33
35.	3/16 KEY	3/16 X 3/16 SQUARE KEY
36A.	60325	PRIMARY SPROCKET
36B.	60355	IDLER SPROCKET
37.	60330	#40 PRIMARY CHAIN
38.	60335	AK84 SHEAVE ( PULLEY )
39.	60340	AX36 DRIVE BELT
40.	GW12-30	CENTRIFUGAL CLUTCH
41.	60350	BELT GUARD





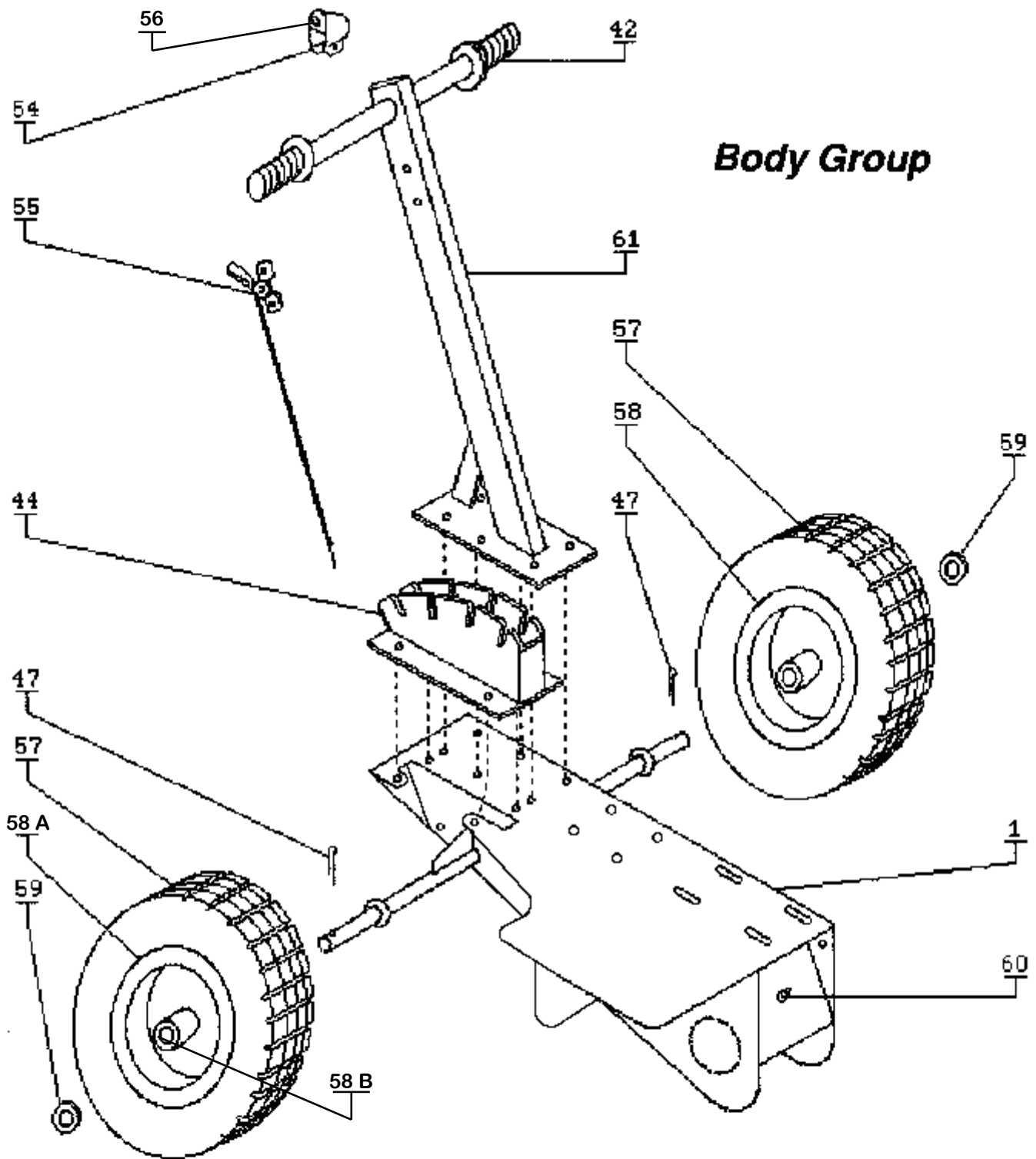
## Depth Control Group

**REF. #**

**ITEM #**

**DESCRIPTION**

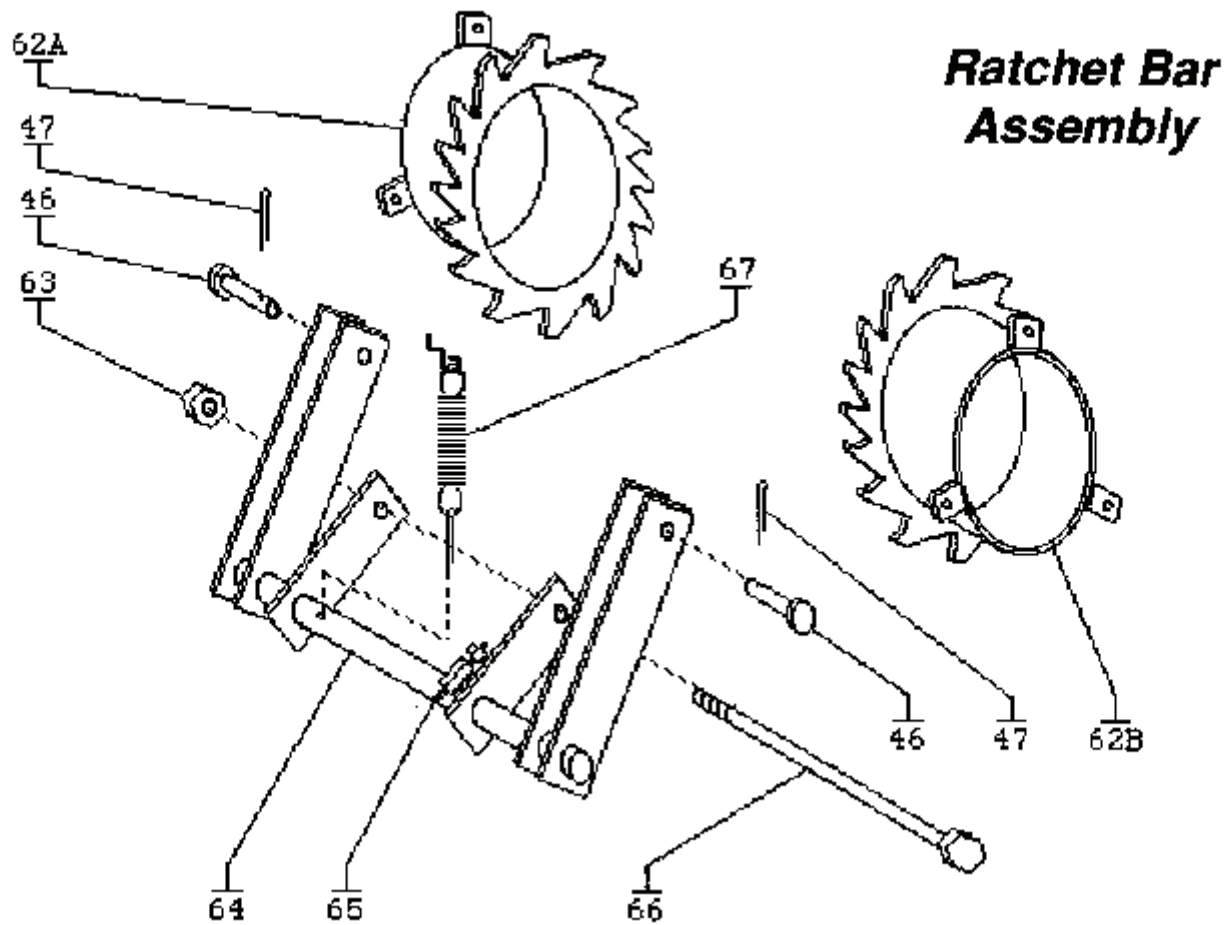
42.	610	HANDLE BAR GRIP
43.	60400	DEPTH CONTROL HANDLE
44.	60405	DEPTH LOCATOR
45.	60410	DEPTH CONTROL LEVER
46.	1514	3/8" CLEVIS PIN
47.	60420	COTTER PIN
48.	1503	3/8" WASHER
49.	60425	CONNECTING ROD
51.	60435	DEPTH CONTROL SPRING ( 186-A )
52.	60430	LOWER SPRING WASHER
53.	1416	DEPTH CONTROL BOLT



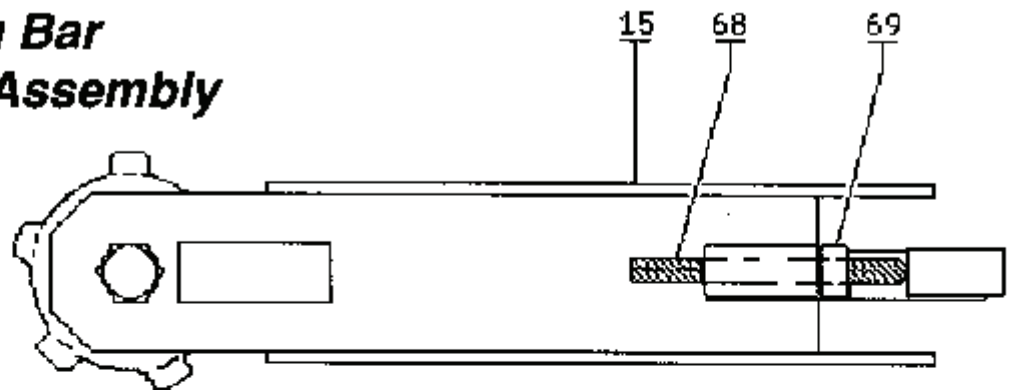
## Body Group

<u>REF. #</u>	<u>ITEM #</u>	<u>DESCRIPTION</u>
54.	SS5	SWITCH MOUNT
55.	MTA	THROTTLE ASSEMBLY
56.	SS2	TOGGLE SWITCH
	SS6	SS5 W/ SS2
	SS1A	COMPLETE SWITCH KIT W/ # SS7 SWITCH WIRE
57.	60515	TIRE
58A.	60520	RIM
58B.	60530-1	BUSHING ( 2 PER RIM )
	67134	INNER TUBE
	60530	COMPLETE TIRE & RIM ASSEMBLY
59.	1700	AXLE WASHER
60.	60103	1/8 " ZERK FITTING
61.	60510	HANDLE BAR





**Digging Bar Adjustment Assembly**



<b>REF. #</b>	<b>ITEM #</b>	<b>DESCRIPTION</b>
62A.	60601L	LEFT WHEEL RATCHET
62B.	60601R	RIGHT WHEEL RATCHET
63.	1518	3/8" NYLOCK NUT
64.	60602	RATCHET BAR
65.	1520	RATCHET BAR ADJUSTMENT BOLT & NUT
66.	1525	3/8 X 7 1/2 BOLT
67.	60603	RATCHET BAR TENSION SPRING # 733
68.	1676	DIGGING BAR ADJUSTMENT BOLT
69.	1675	DIGGING BAR LOCK NUT
70.	1677	5/8 COUPLER NUT